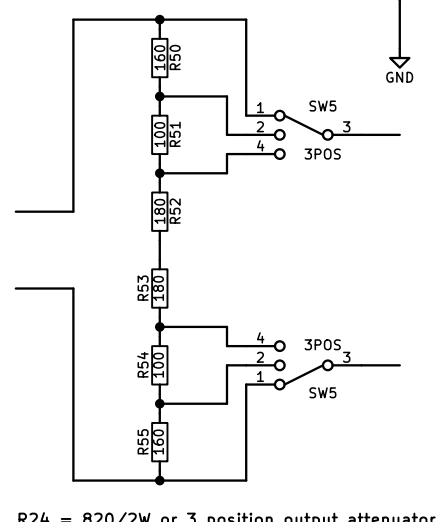


- R1 1k/1W
- R2, R3 100/1W
- R4 22k/1W
- R5, R6 10k/1W
- R7 22/2W
- R8 1/2W
- R9, R10 1M/1W
- R11, R12 10/1W
- R13 4.7k/2W
- R14, R15 1/1W
- R16 100/2W
- R17 4.7k/1W
- R18 100k/1W
- R19 4.7k/1W
- R20 390/3W
- R21 2.2k/1W
- R22 6.8/10W
- R23 7.5/10W
- R24 *
- R25 680/2W
- R26 68k/1W (omitted)
- R27 47k/1W (jumper)
- R28 220/1W
- R29 1W/1W
- R30 470k/1W
- R31, R32 3.3k/1W
- R33 470/1W
- R34, R35 10k/1W
- R36, R37 4.7k/1W
- R38, R39 470/1W
- R40 1k/1W
- R41 100/1W
- R42 470/1W
- R43 470/1W
- R44 0.39/2W
- R45, R46 820/1W
- R47 3.3k/1W
- R48 1/1W
- R49 220/1W
- C1 10000u/50V
- C2 220u/420V
- C3, C4, C8, C9 1000u/50V
- C5, C6, C10, C11 0.1u/50V
- C7, C12 1/2W
- C13 1n/500V
- C14 10/1W
- C15 220u/500V (omitted)
- C16 1000u/50V
- C17 0.022u/630V
- C18, C19 4.7u/50V
- C20 1000u/50V
- C21 0.022u/630V (omitted)
- C22 3.3u/50V
- D1 1N4148
- D2, D3 KBPC1510
- D4, D5 1N5062
- D6, D8 UF4007
- D7 1N5383B
- D9 BZX55C20
- D10 BZX55C16
- Q1, Q2, Q3 BC547B
- Q4 BC557B
- T1 HAMMOND 560Q or LUNDAHL 1540
- T2 TOROIDY 15k:600, or LUNDAHL 1689/PP 9+9:4 (C13 omitted if Lundahl 1689/PP is used)
- T3 TOROIDY 100VA
- T4 HAMMOND 560N
- L1 HAMMOND 159ZC
- L2 HAMMOND 158Q
- U1, U2 6L6GC or 5881
- Socket U1, U2 Belton Octal PC Mount, Pin length 20.5mm
- I1, I2 Brightmaster 8V/150mA
- Socket I1, I2 ESKA FUSE HOLDER 6.3x32mm
- F1, F2, F3 5x20mm fuse
- M1 200uA meter
- K1 XLR MALE
- K2 XLR FEMALE
- K3 G5V-2-H1 12VDC
- RV1 INPUT GAIN
- RV2 ZERO
- RV3 BALANCE
- RV4 THRESHOLD
- RV5 COMPRESSION RATIO
- RV6 RELEASE
- RV7 ATTACK
- SW1 POWER SWITCH
- SW2 BYPASS
- SW3 LOAD
- SW4 LINK

C7, C12 105°C, 12000h Ø16x35.5mm; Pitch:7.5mm
 C3, C4, C8, C9, C16, C20 Ø12.5x25mm; Pitch:5mm

R22, R23 omitted in stereo version



R24 = 820/2W or 3 position output attenuator