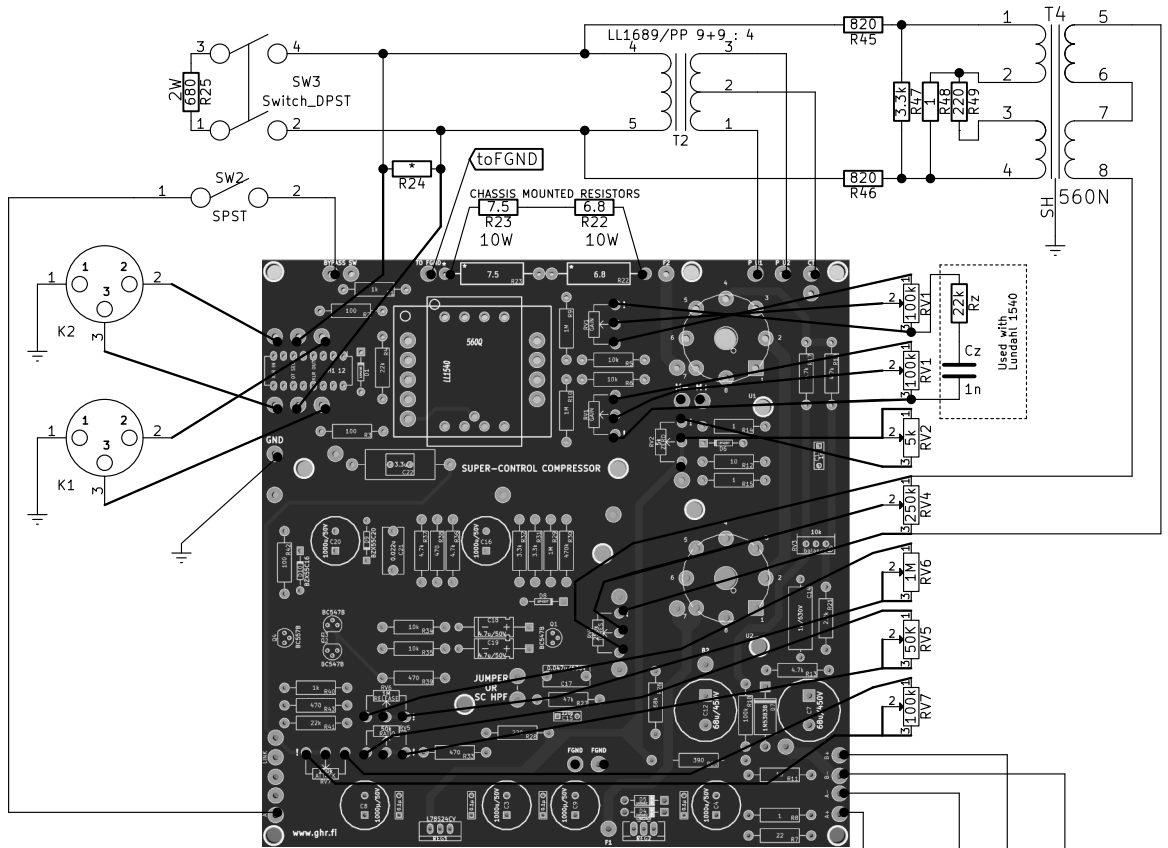
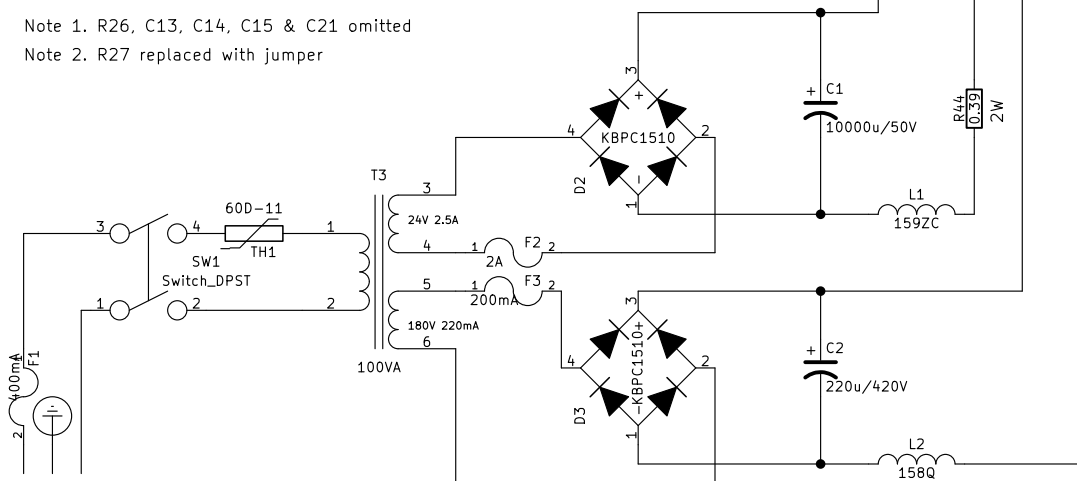


MONO



Note 1. R26, C13, C14, C15 & C21 omitted
 Note 2. R27 replaced with jumper



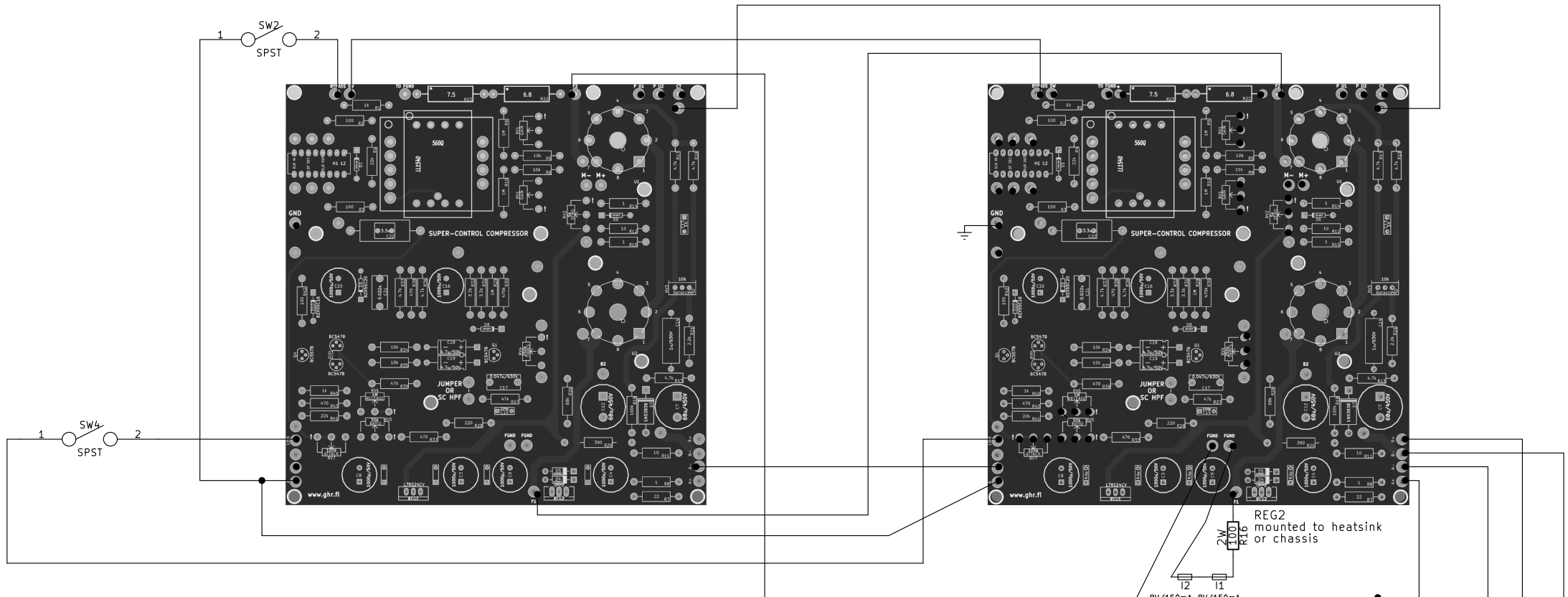
STEREO

BOARD 1

Note 1. REG1, REG2, D4, D5, R7, R8, R11, R22, R23, R26, C3, C4, C5, C6, C13*, C14, C15 & C21 omitted
 Note 2. R27 replaced with jumper

BOARD 2

Note 1. R22, R23, R26, C13*, C14, C15 & C21 omitted
 Note 2. R27 replaced with jumper



C13 omitted if Lundahl 1689/PP is used

